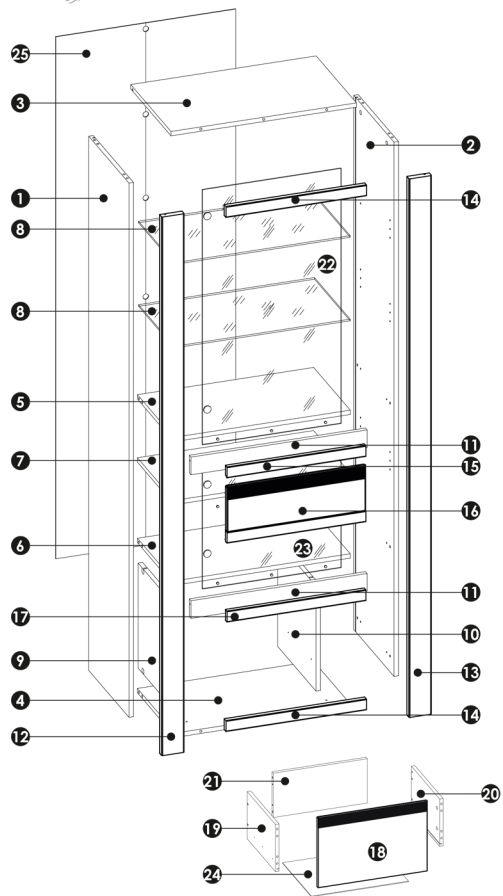
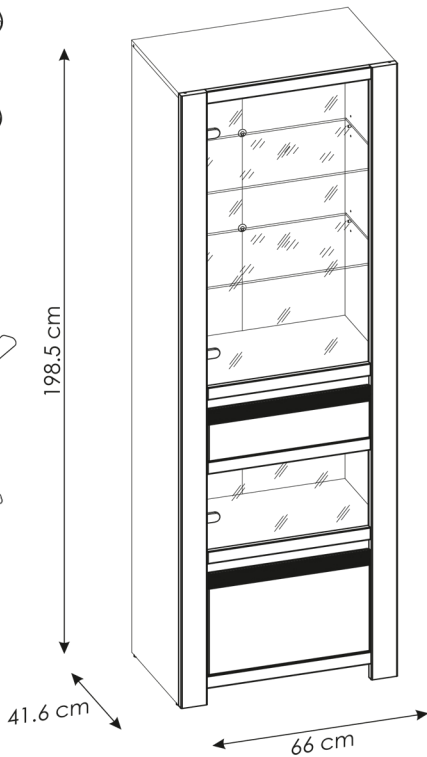
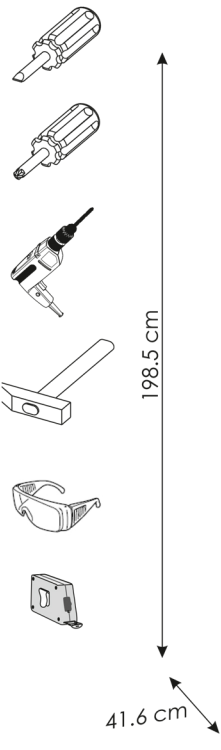
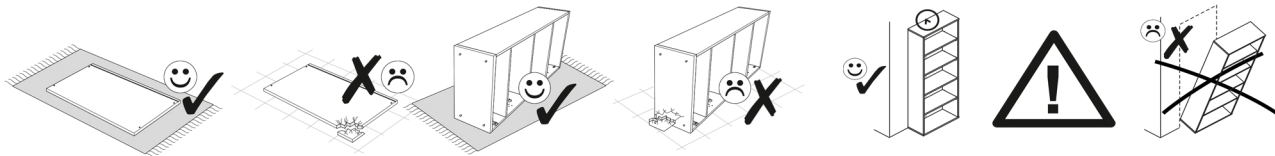
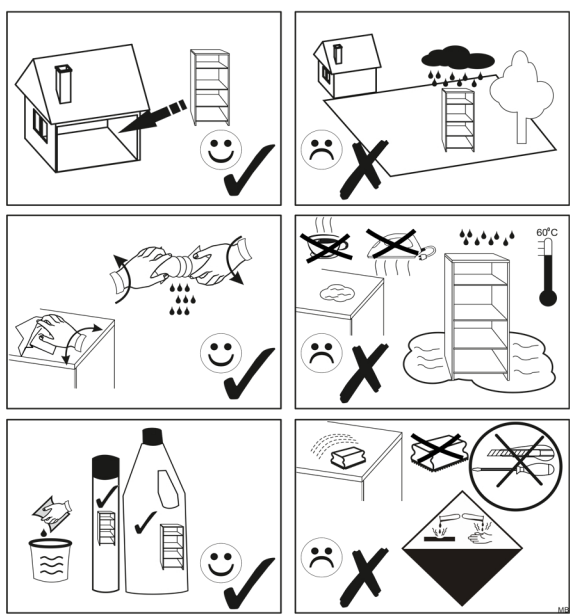


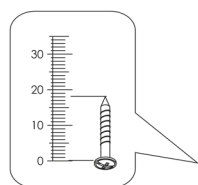
# LUCITA HAVV01

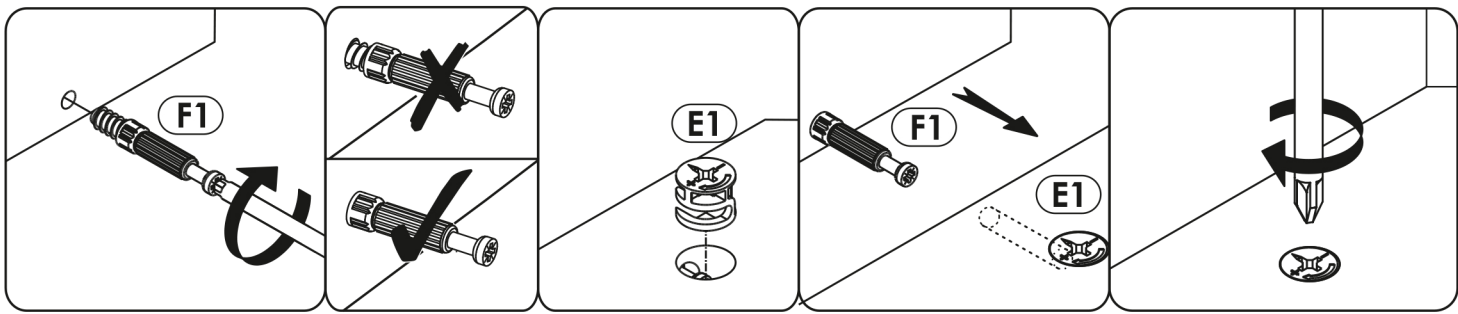


1	1964	394	16	x1	3/3
2	1964	394	16	x1	3/3
3	660	394	16	x1	1/3
4	627	374	16	x1	1/3
5	627	358	16	x1	2/3
6	627	358	16	x1	2/3
7	627	358	16	x1	1/3
8	626	349	6	x2	2/3
9	386	374	16	x1	1/3
10	386	374	16	x1	1/3
11	627	65	16	x2	1/3
12	1980	80	22	x1	3/3
13	1980	80	22	x1	3/3
14	500	40	18	x2	1/3
15	494	40	12	x1	1/3
16	494	210	16	x1	1/3
17	494	40	12	x1	1/3
18	494	330	16	x1	1/3
19	350	220	16	x1	1/3
20	350	220	16	x1	1/3
21	424	206	16	x1	1/3
22	938	494	4	x1	3/3
23	450	494	4	x1	3/3
24	438	355	3	x1	1/3
25	1919	640	3	x1	3/3

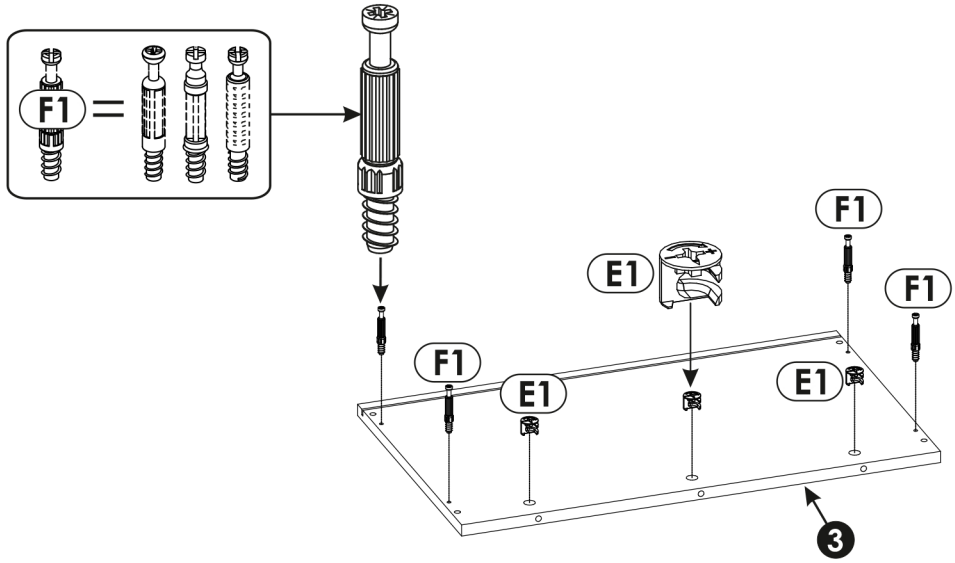


A1	8 x 35 mm	x24	BS2		x4	BS3		x3
BS6		x4	BSS		x4	C2	5 x 13 mm	x4
D2		x12	E0		x26	E1	15 x 12.5 mm	x26
E2		x8	FO		x8	F1	6 x 34 mm	x26
G0		x4	G1	7 x 50 mm	x4	I2	4 x 16 mm	x13
I10	3 x 13 mm	x65	M		x1	N1	3 x 16 mm	x25
O2		x4	P15		x4	PW	L - 350	x2
Q9		x1	Q7		x1	R3		x12
R4		x13	RB	5 mm	x3	R9	1.5 mm	x3
W2		x16	Y1		x1			
Z		x1						

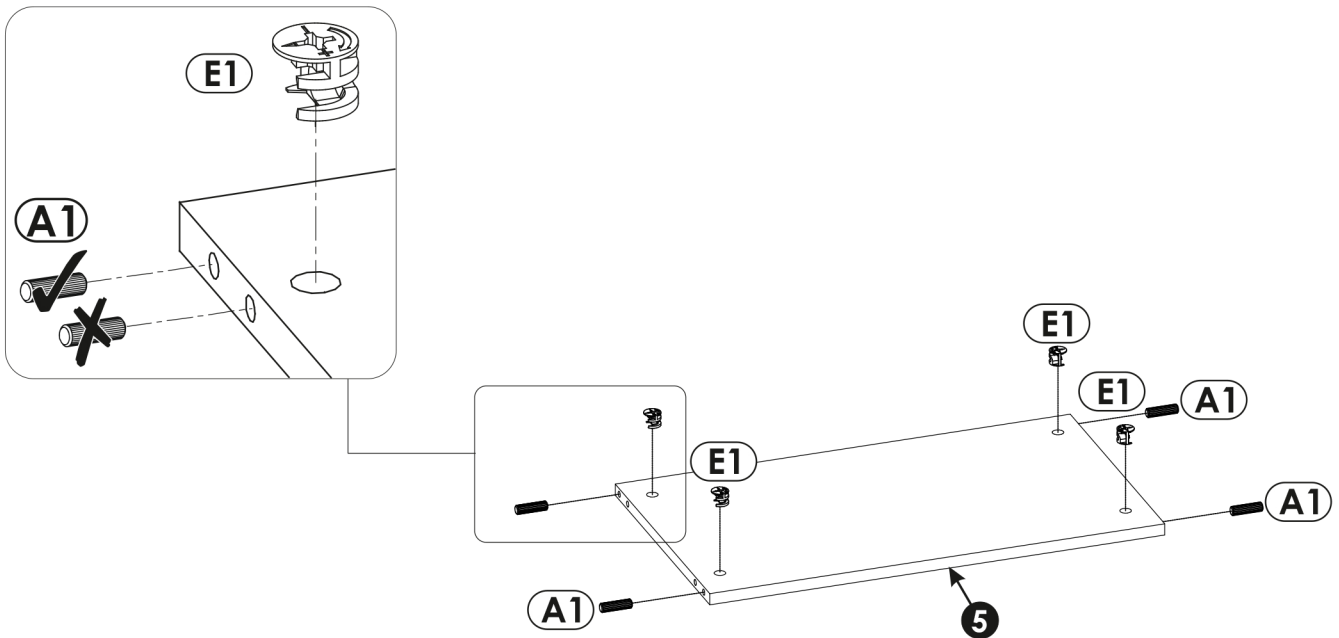




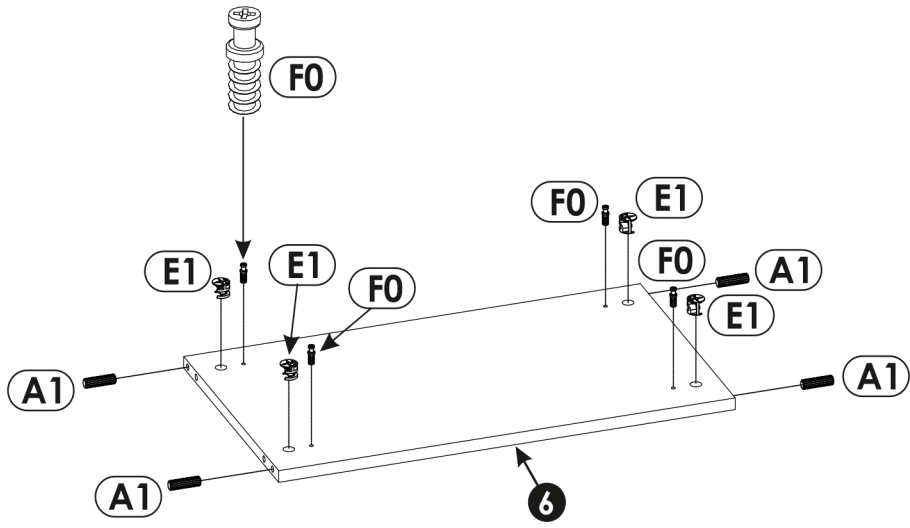
1 ▶



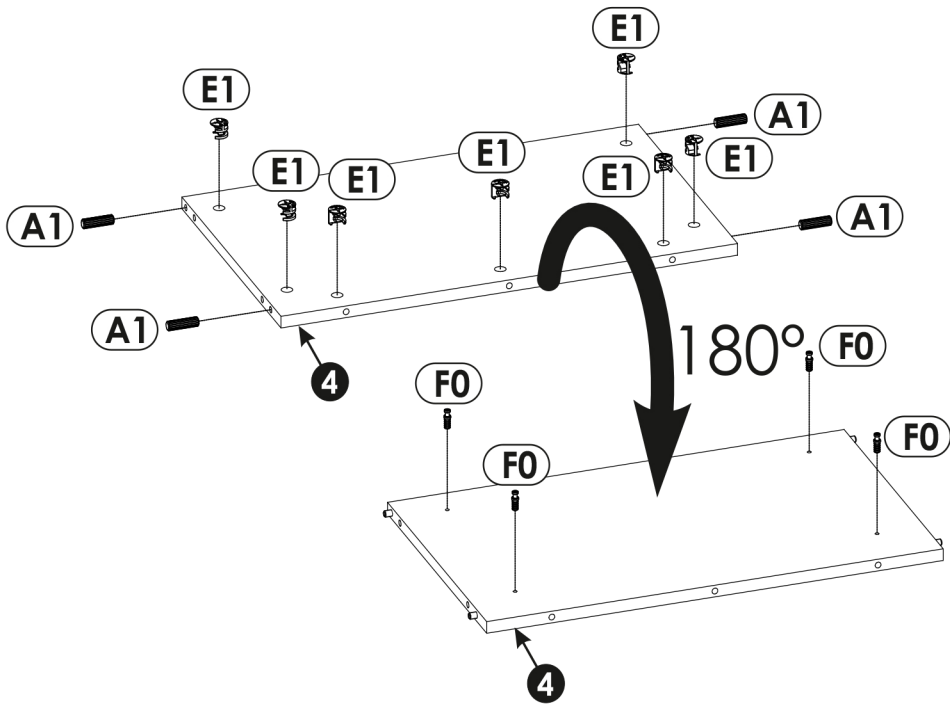
2 ▶



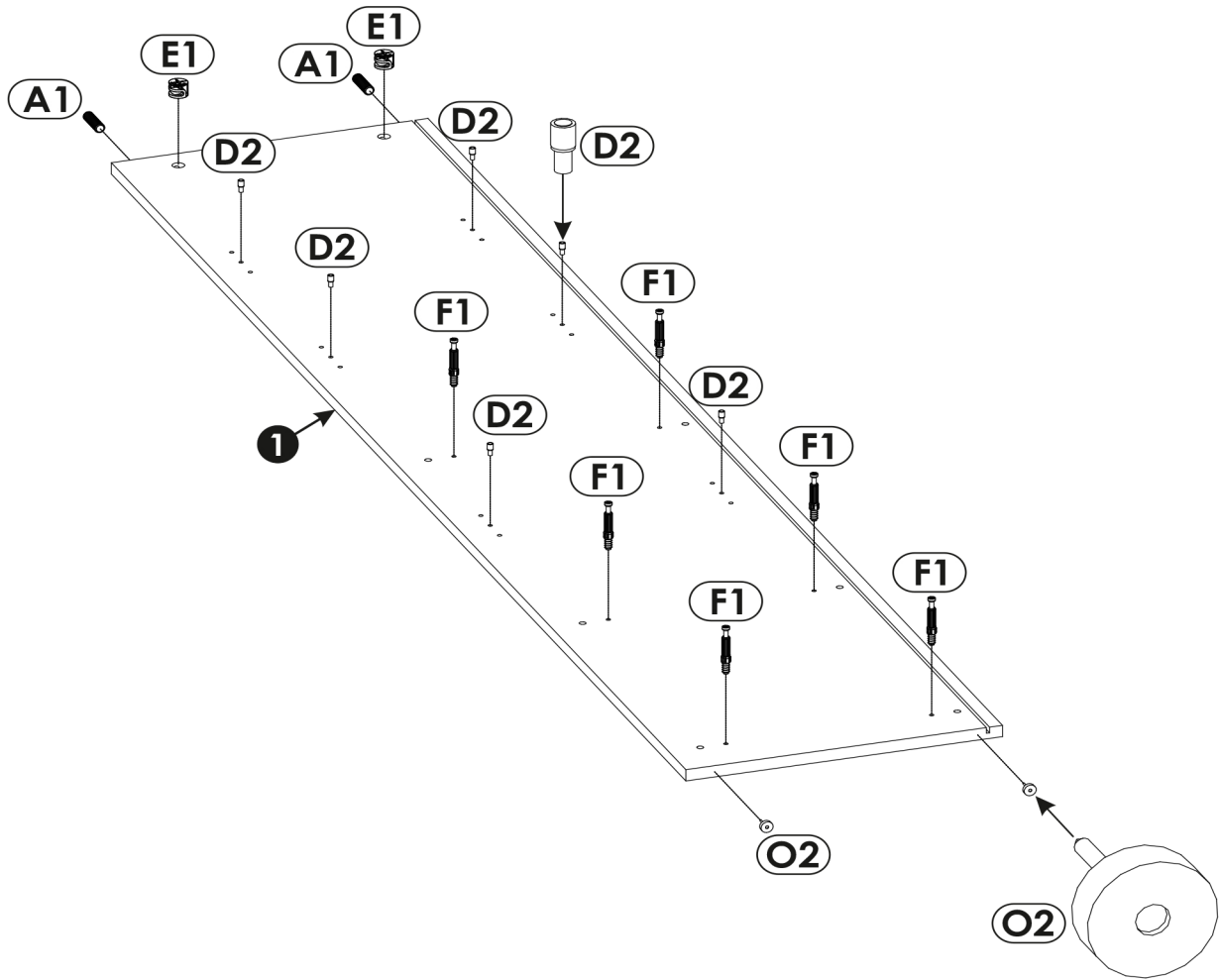
3 ▶



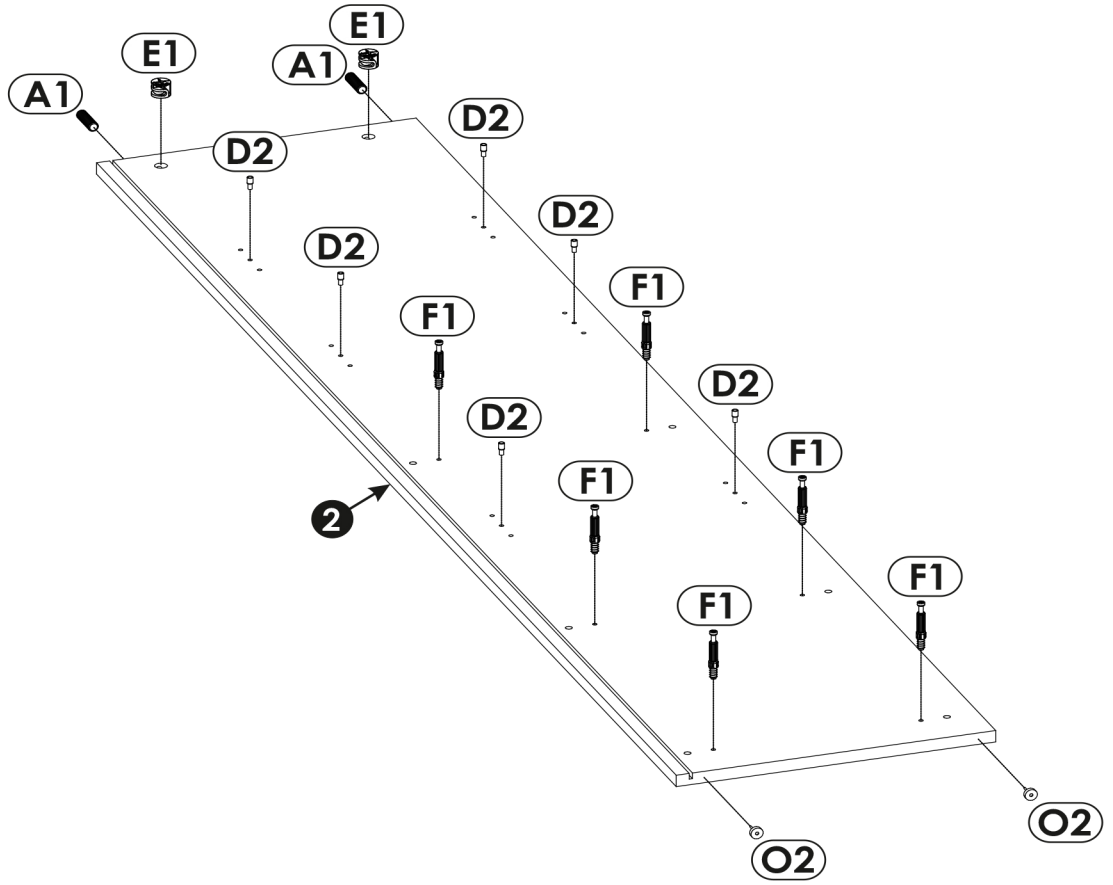
4 ▶

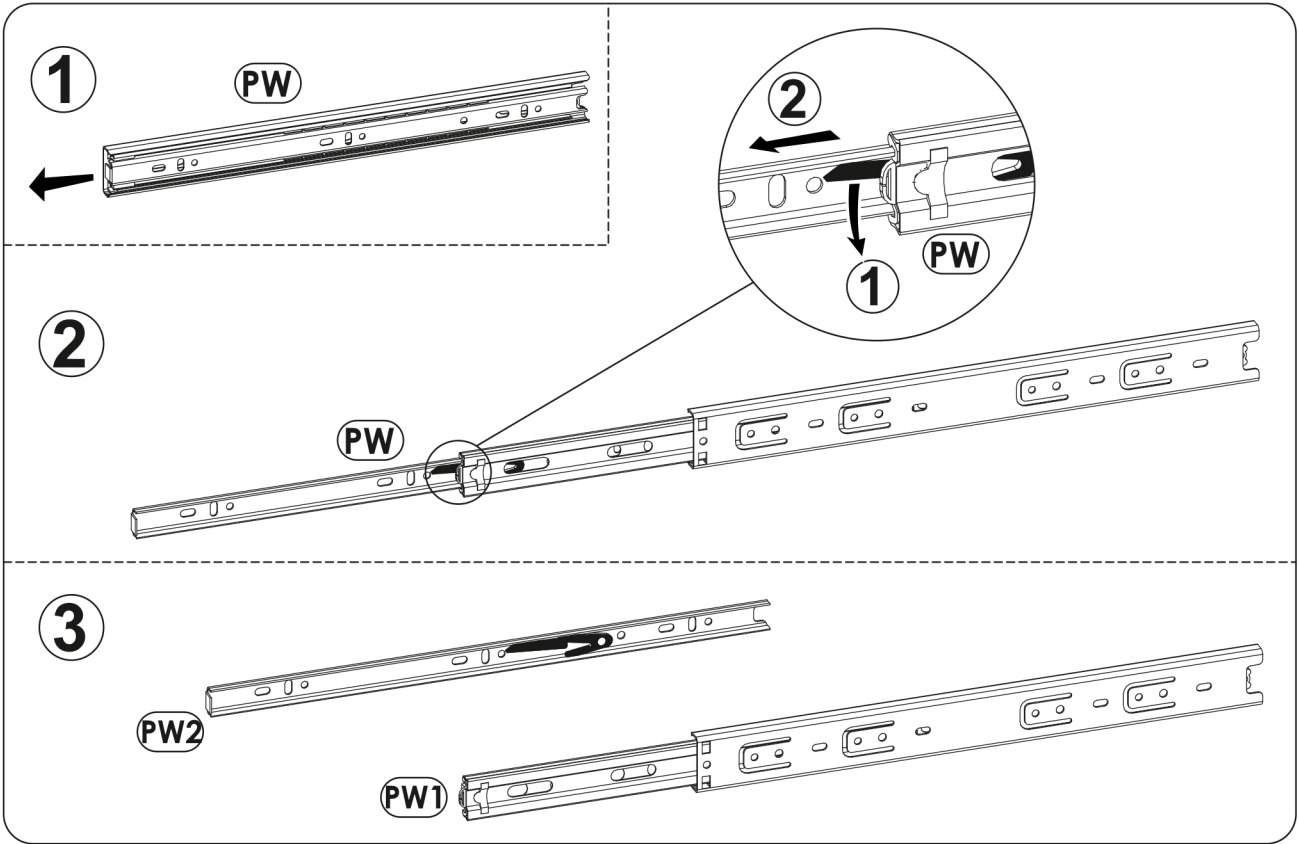


5 ▶

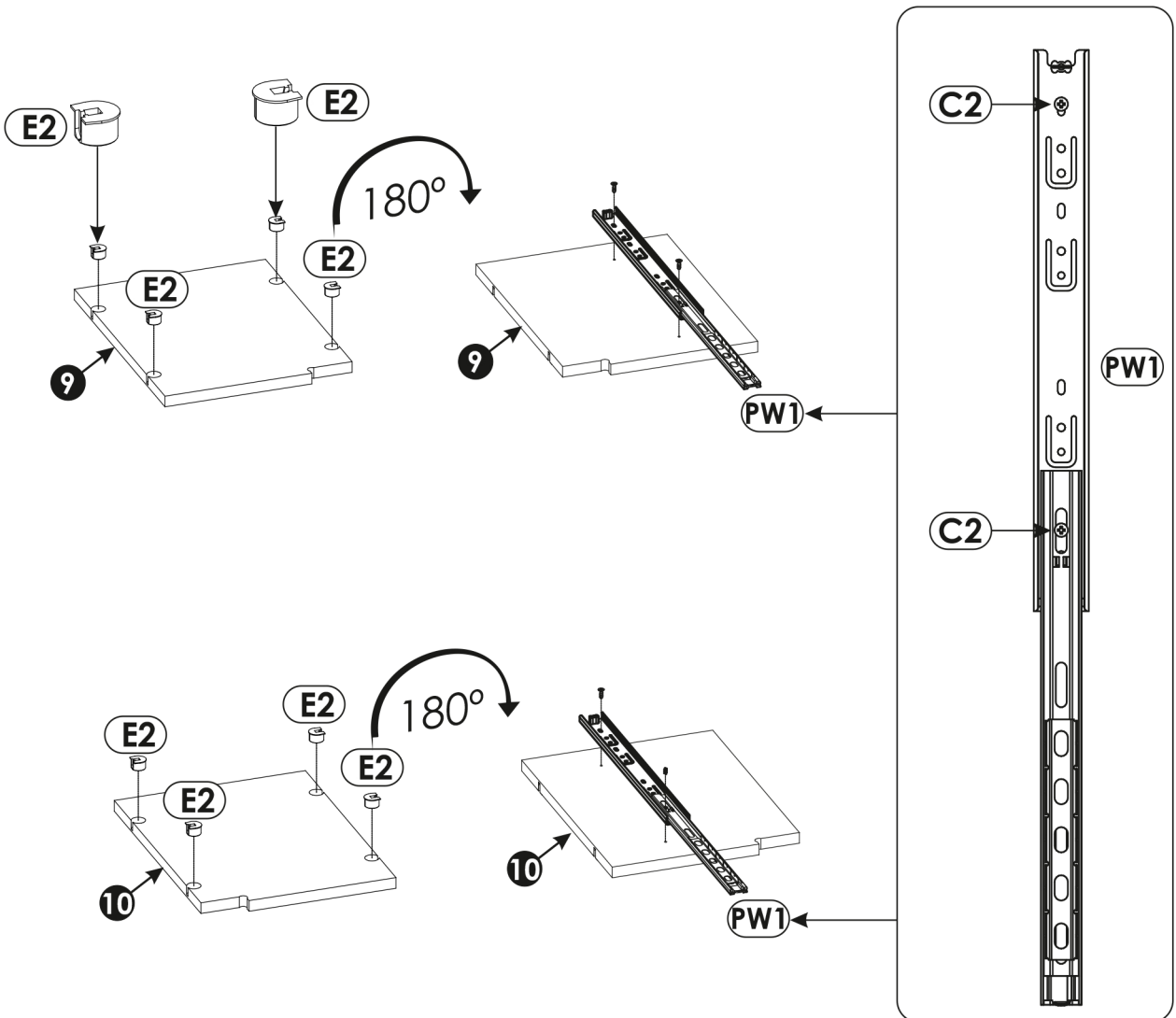


6 ▶

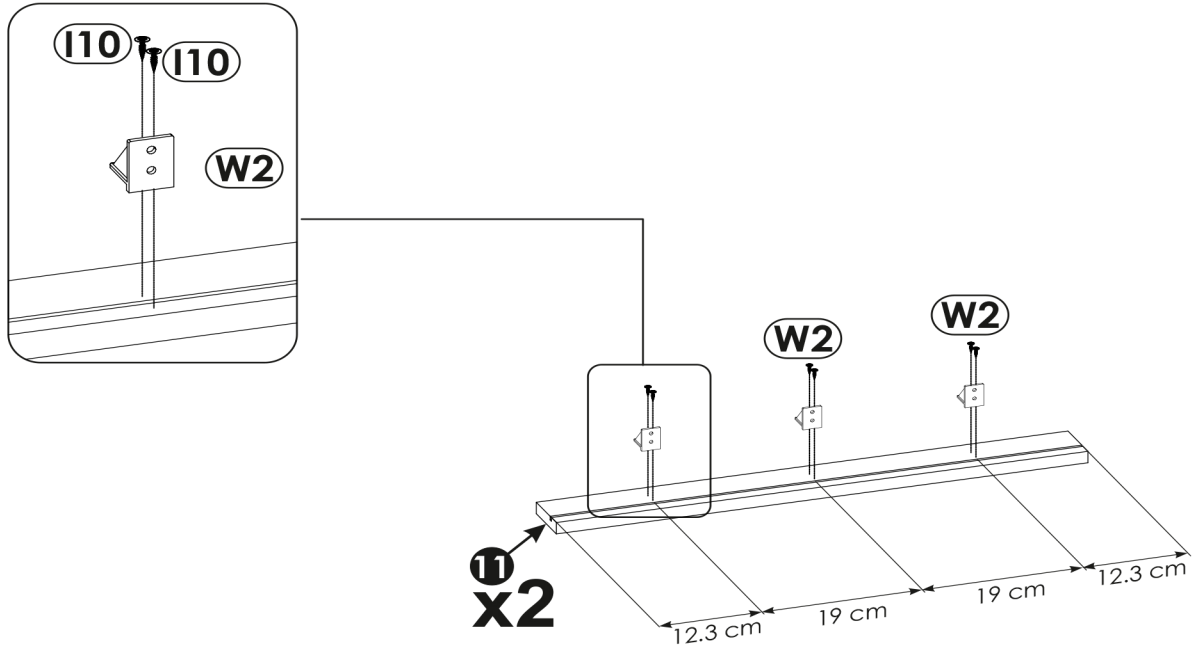




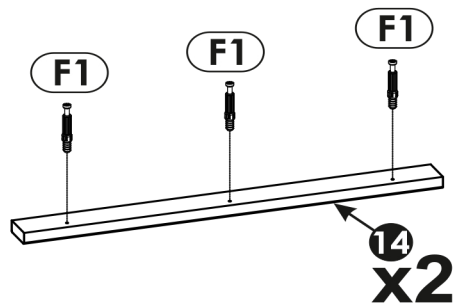
7 ▶



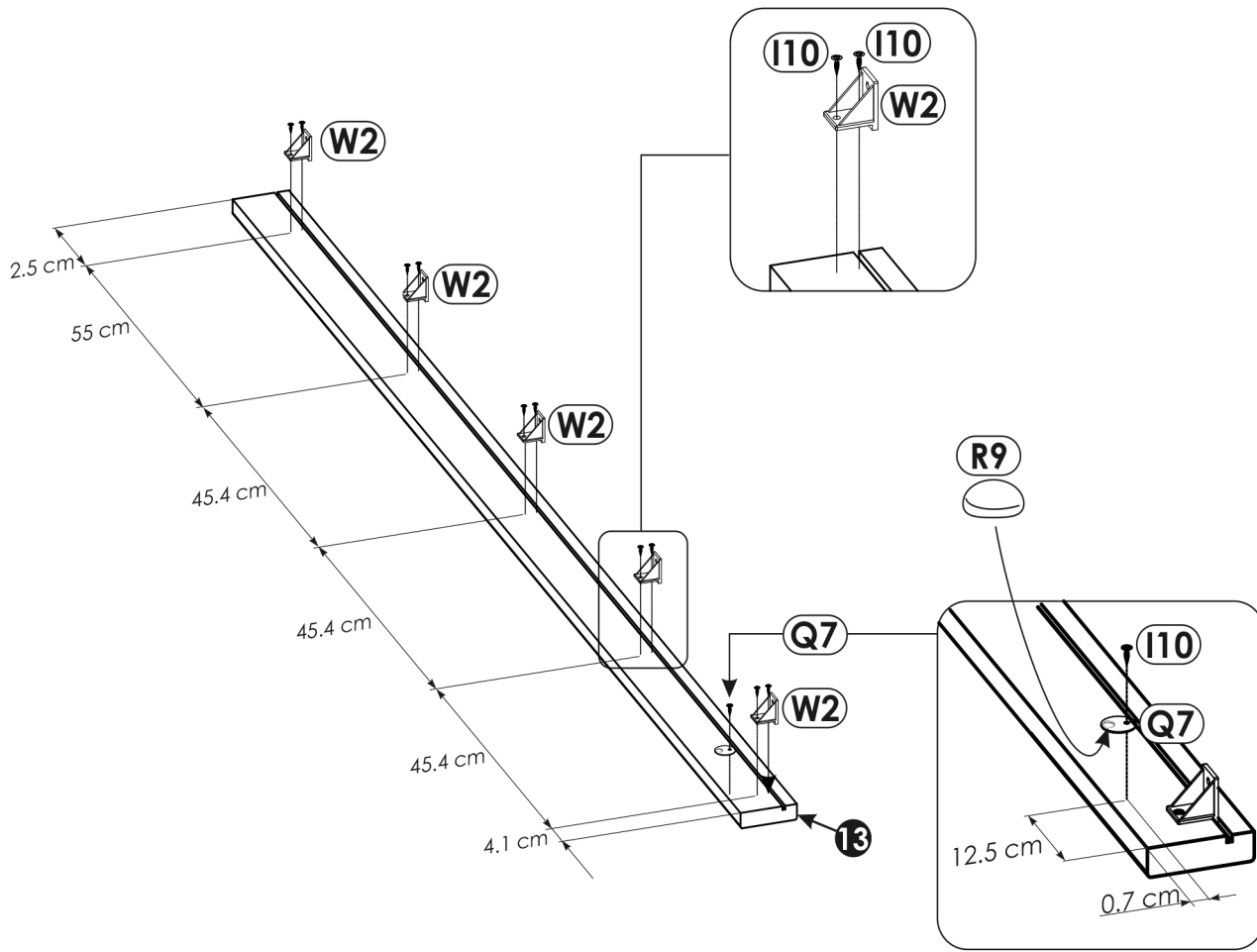
8 ▶



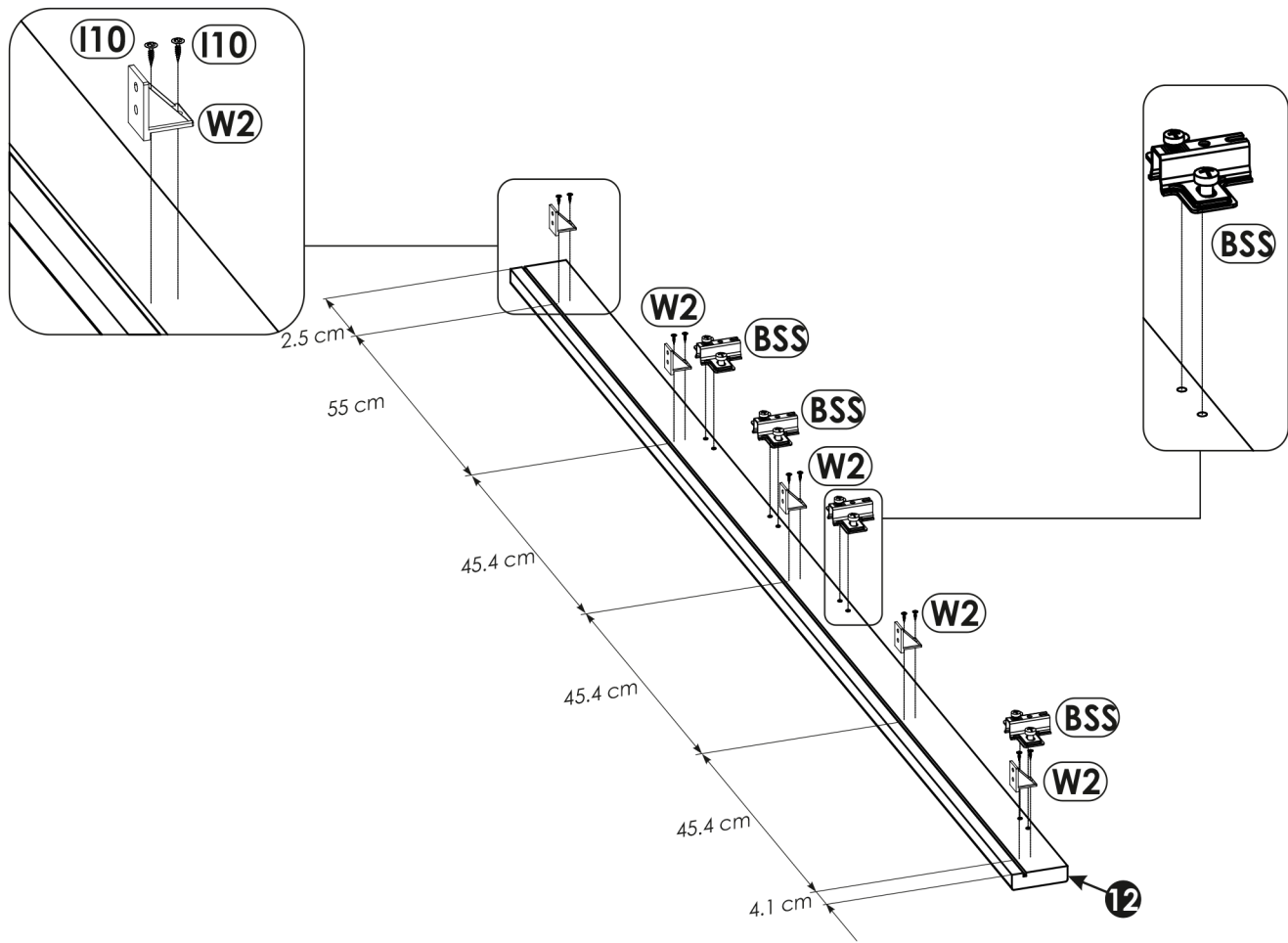
9 ▶



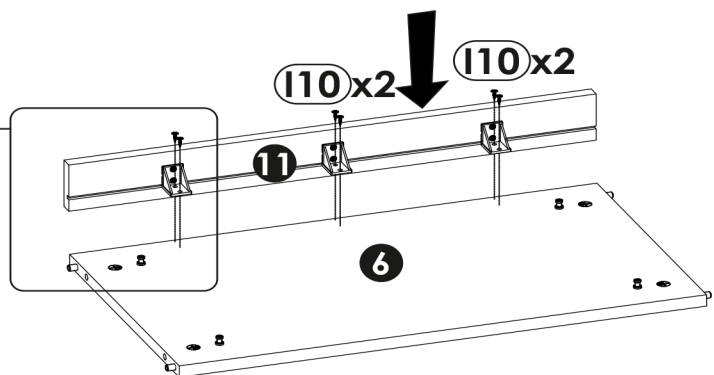
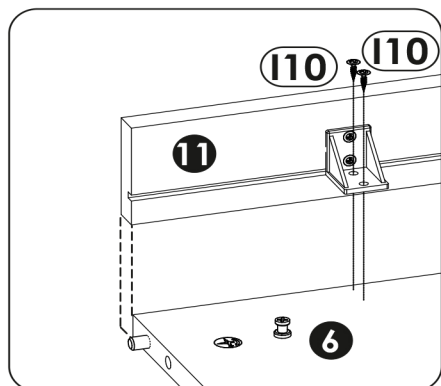
10 ▶



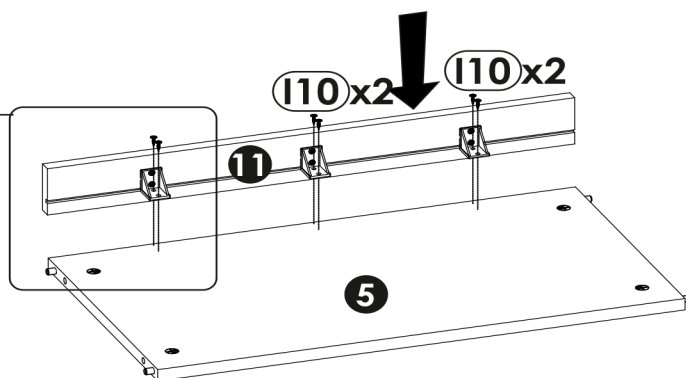
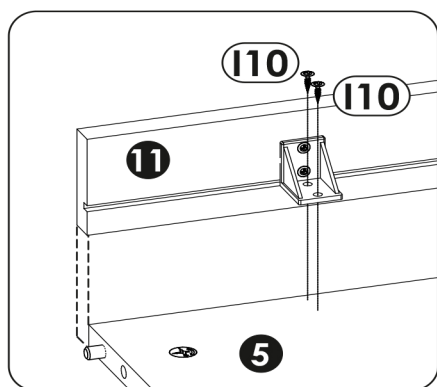
11 ▶



12 ▶

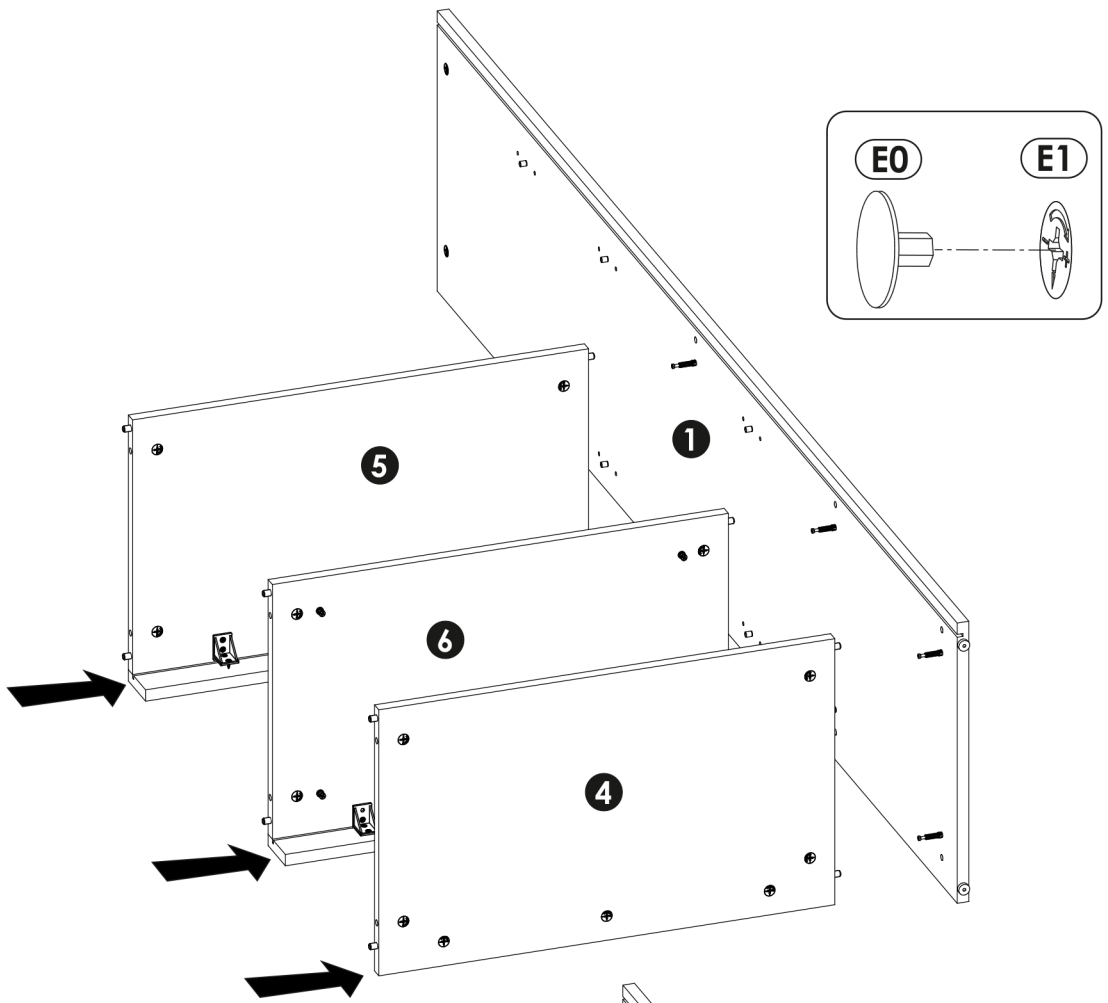


13 ▶

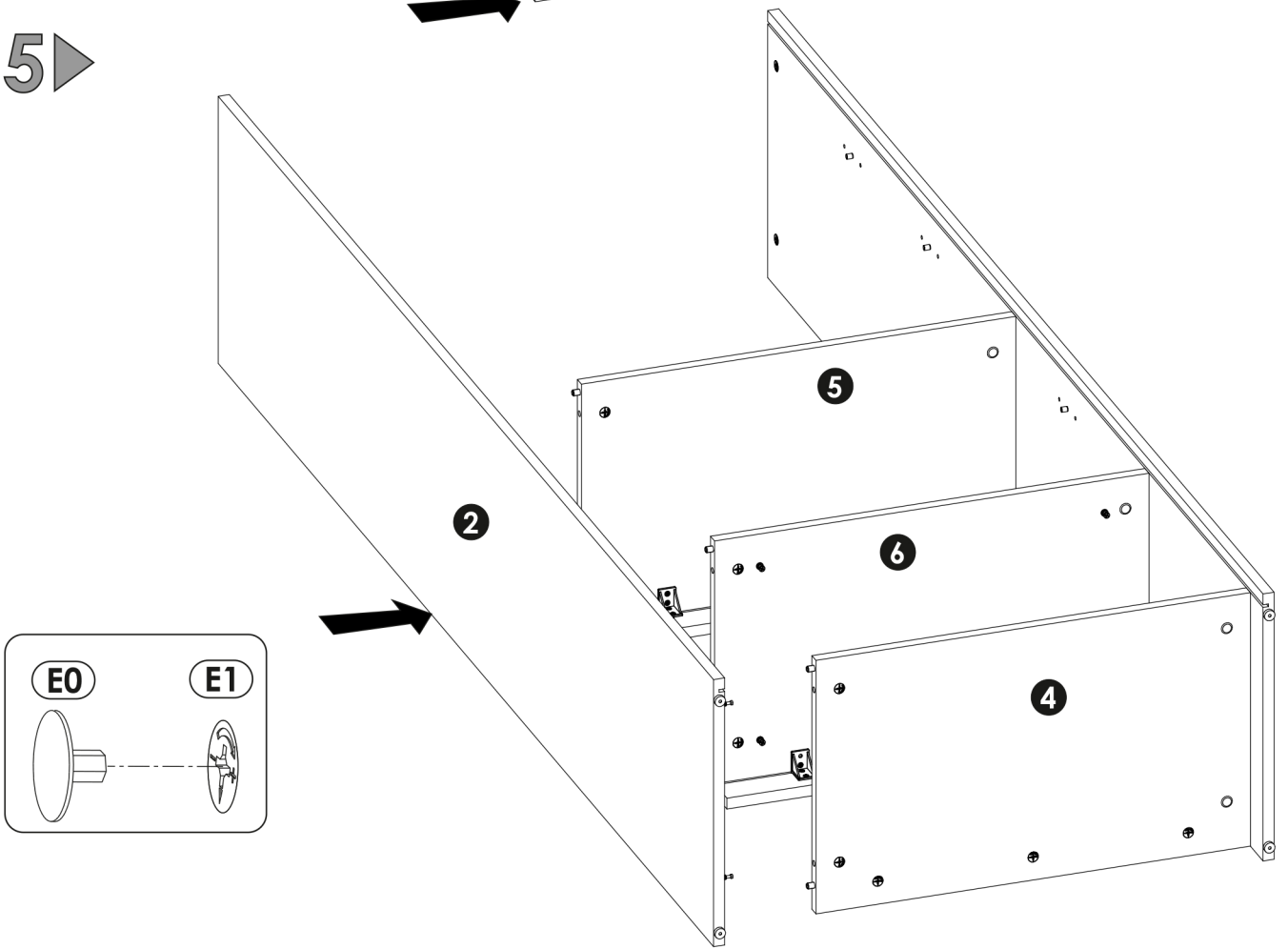




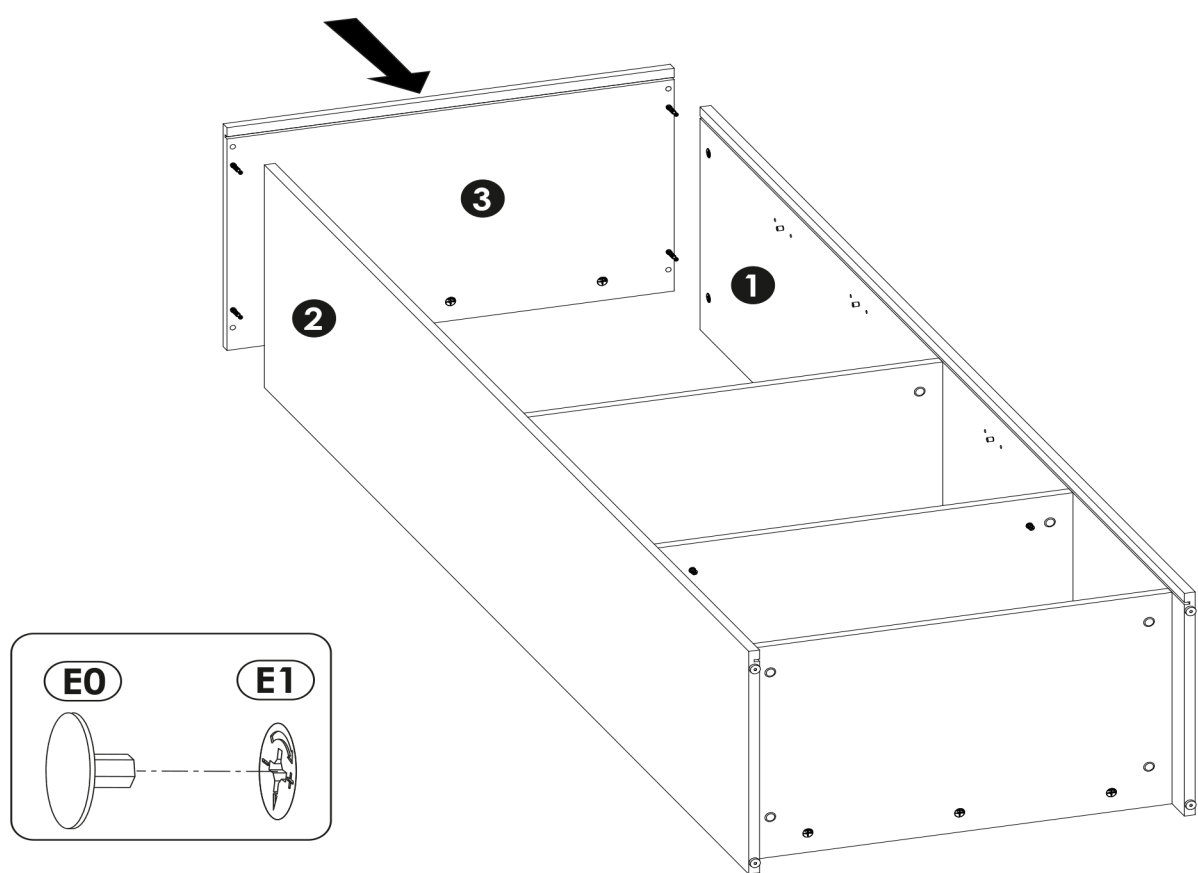
14▶



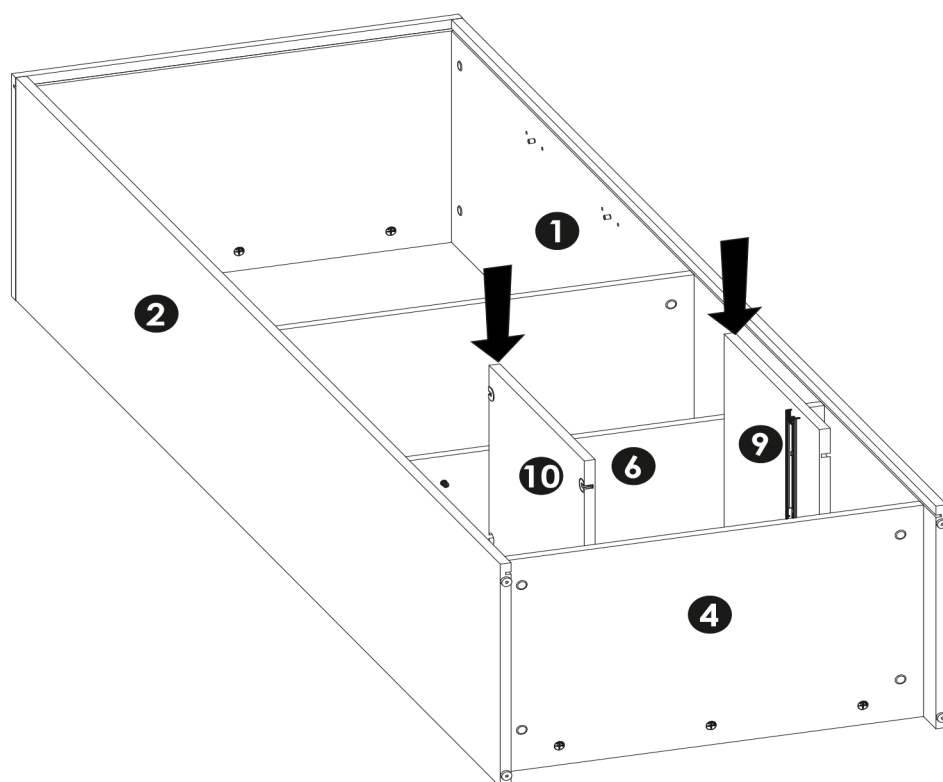
15▶



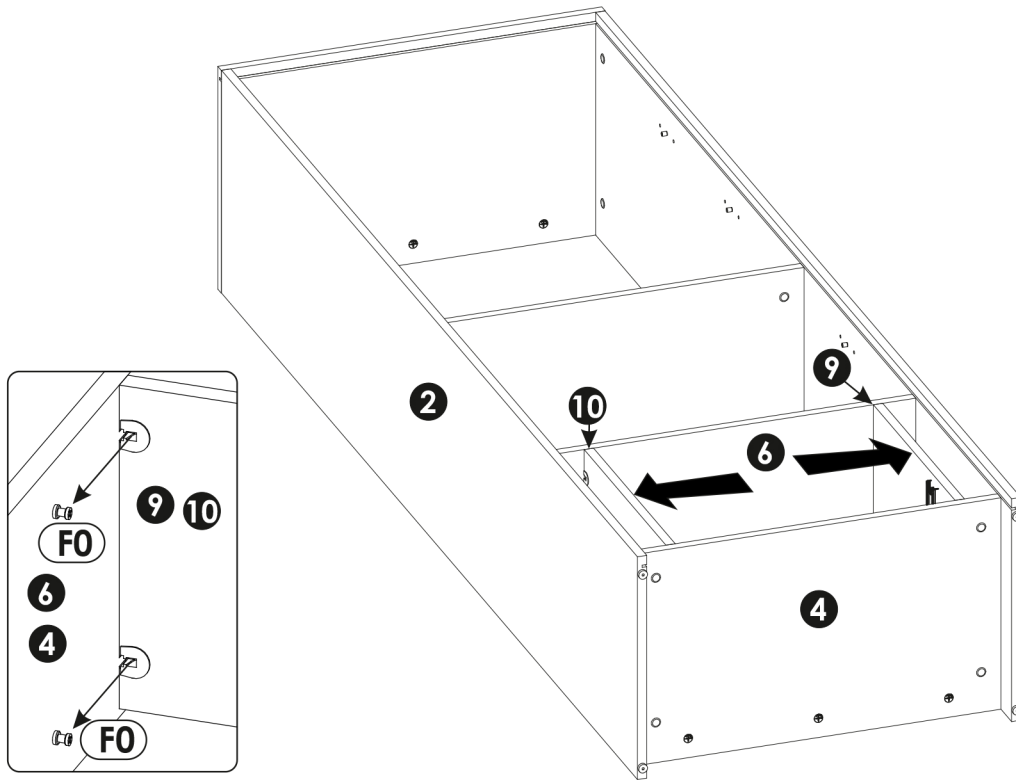
16 ▶



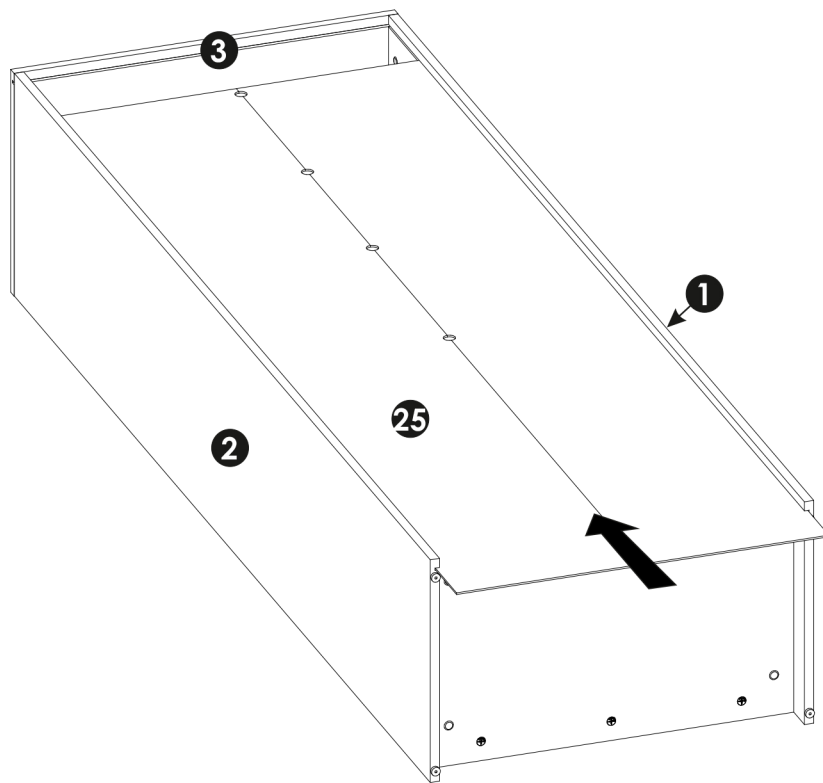
17 ▶



18▶

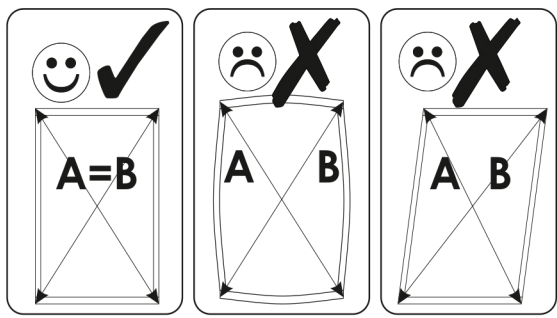
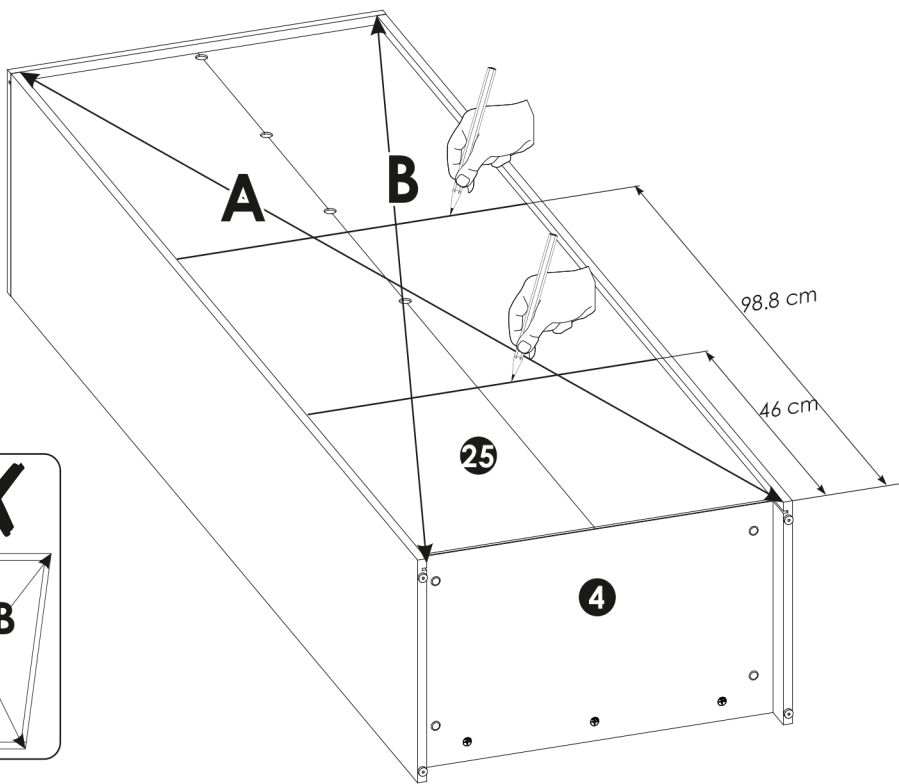


19▶

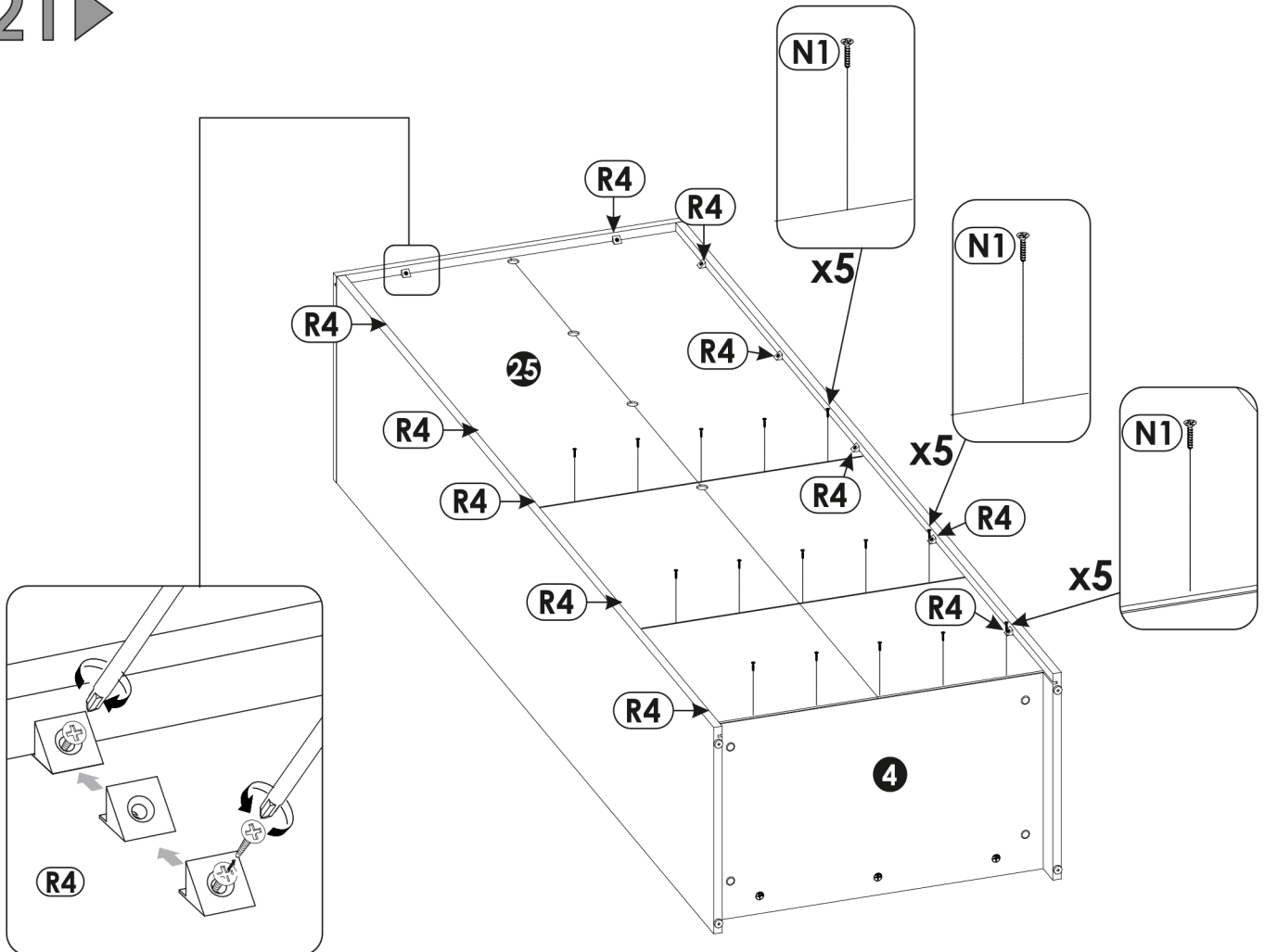


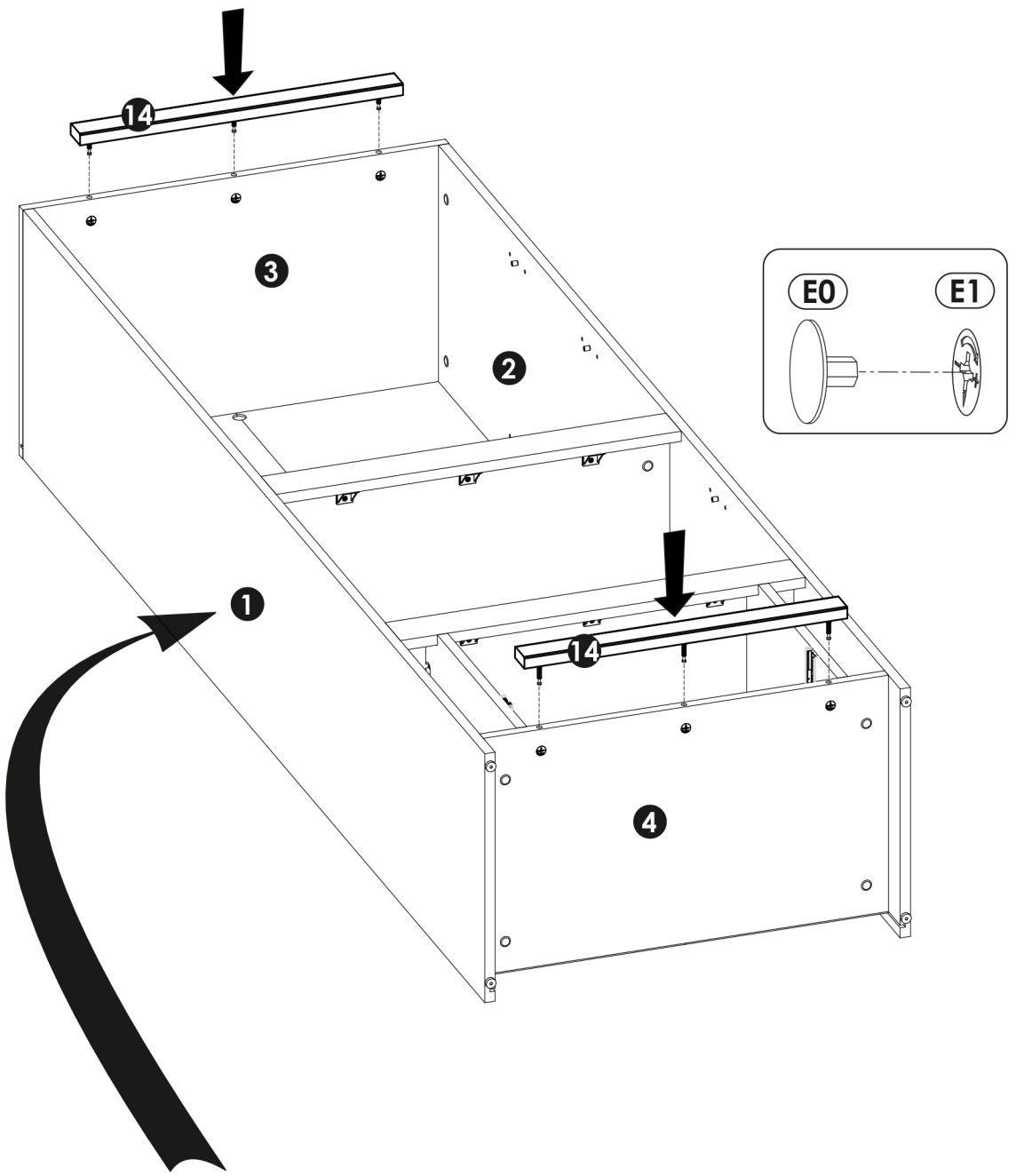
# 20 ▶

**A=B**

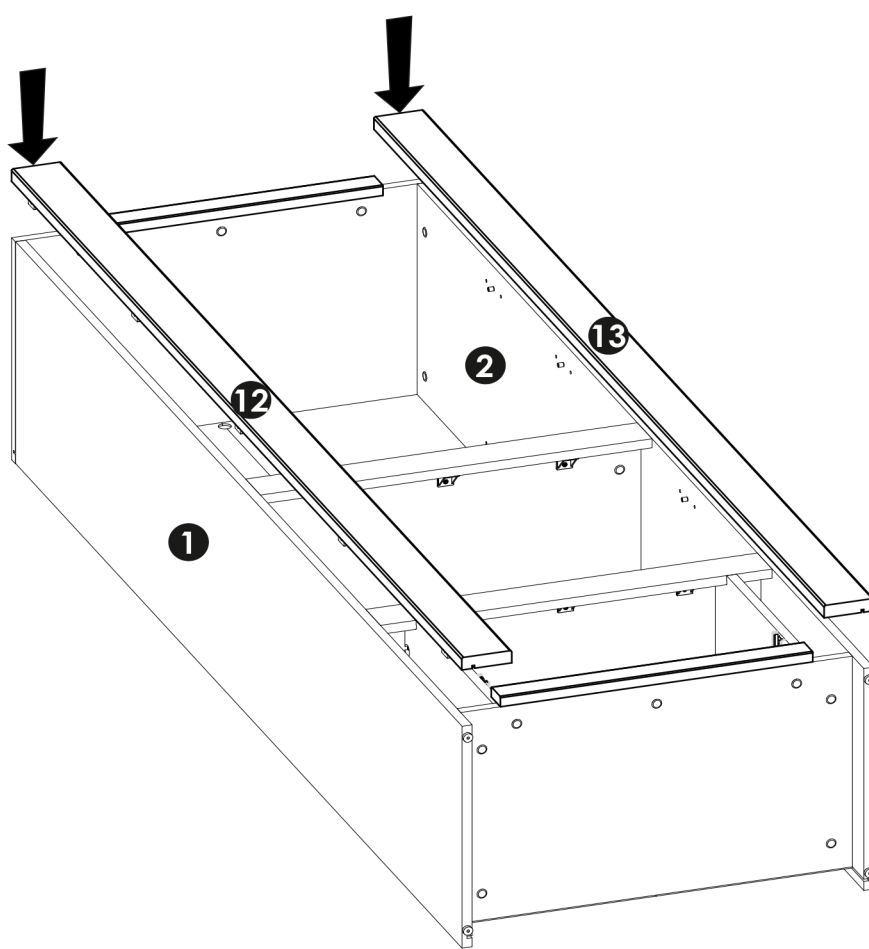


# 21 ▶

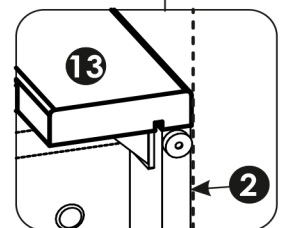
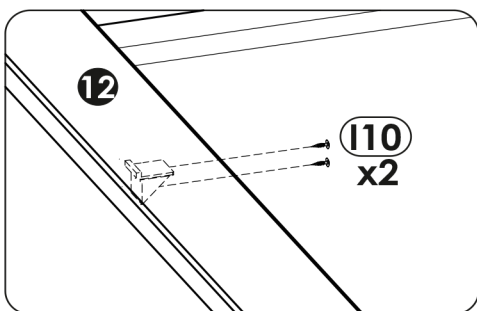
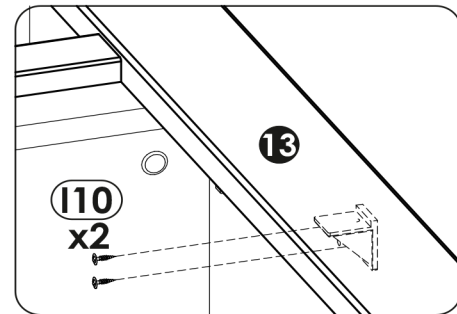
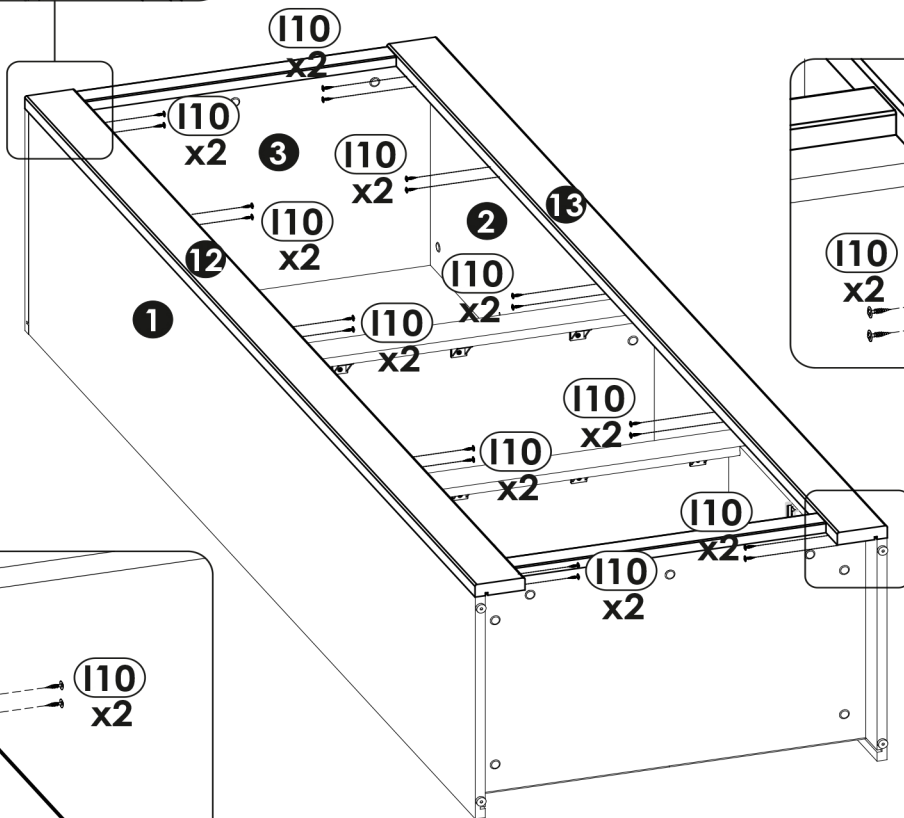
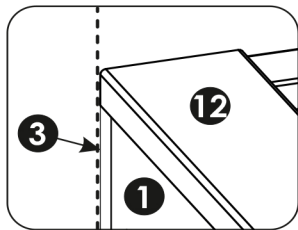


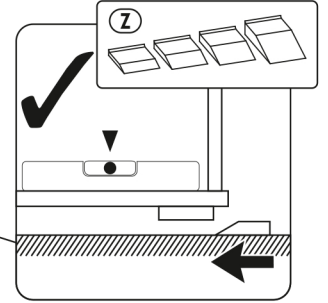
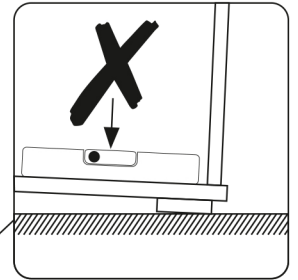
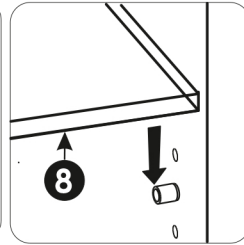
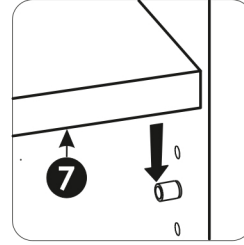
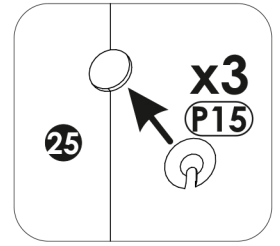
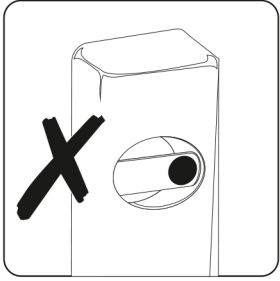
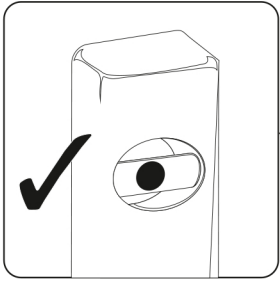
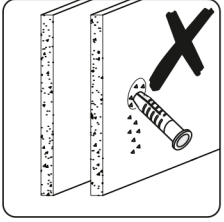
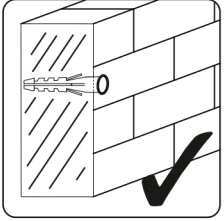
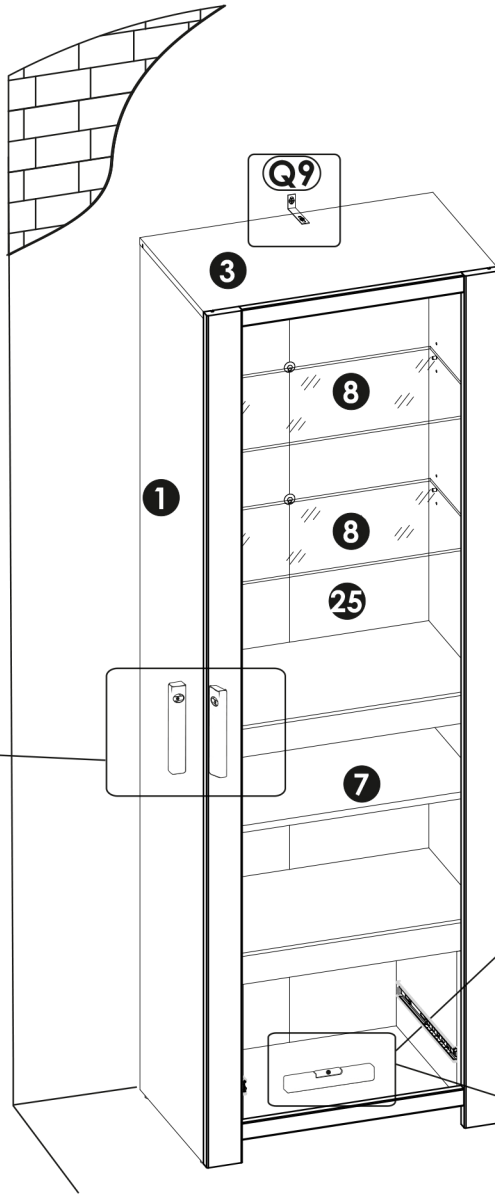


23 ▶

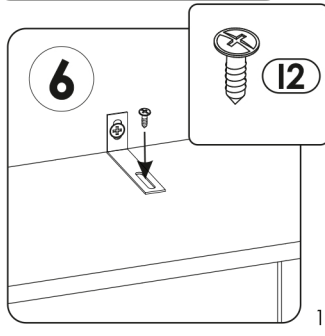
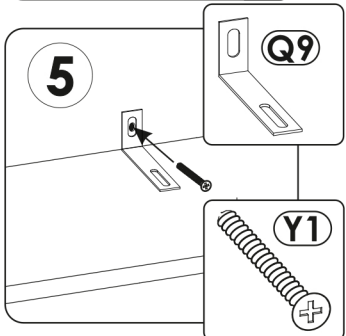
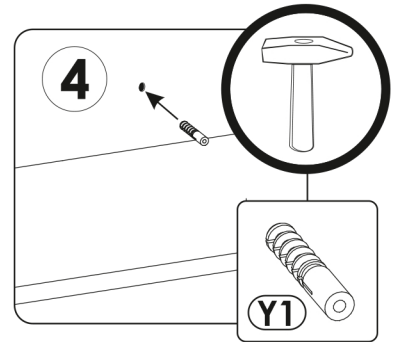
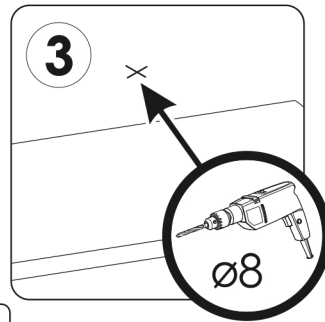
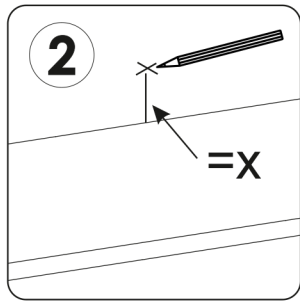
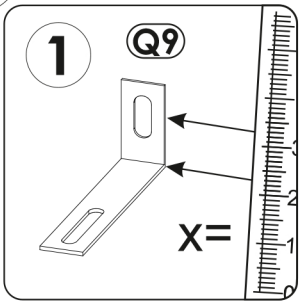


24 ▶

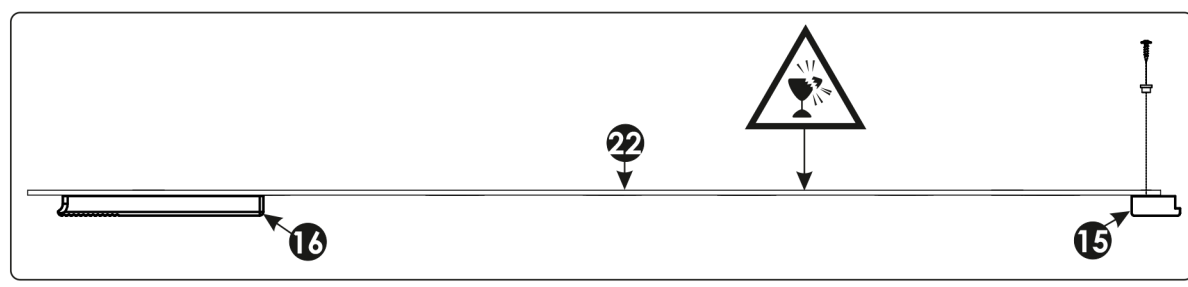
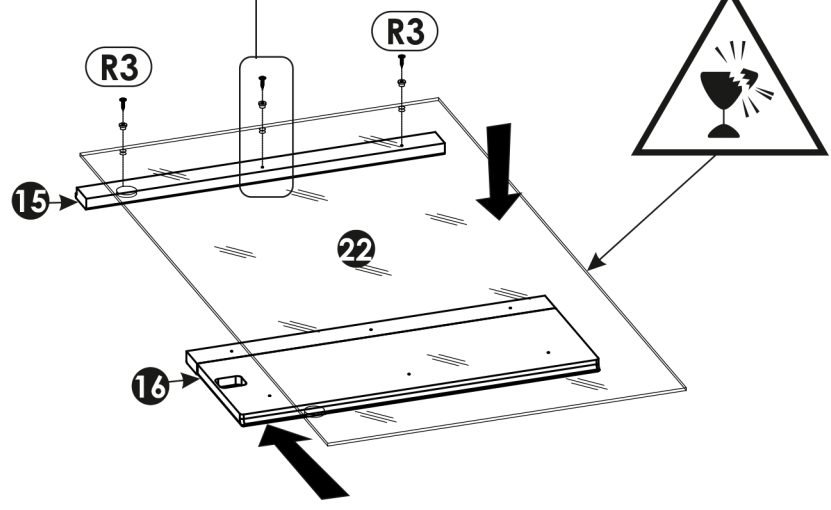
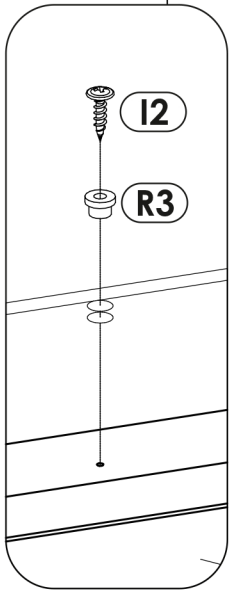




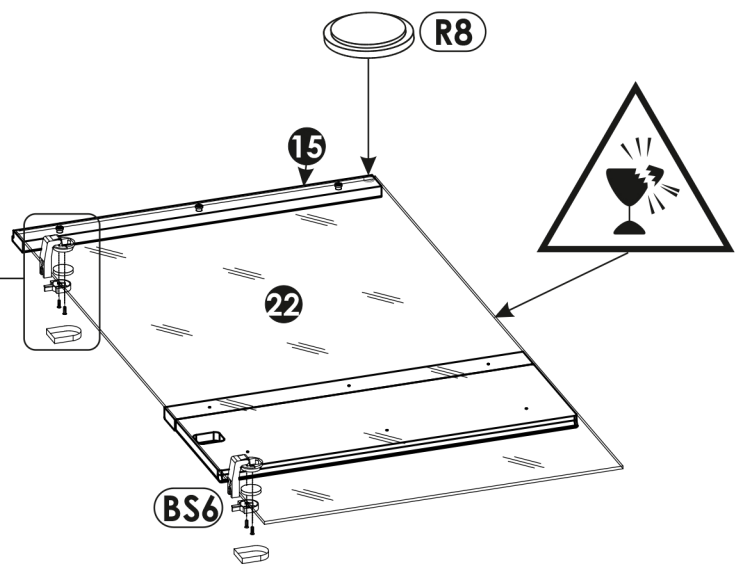
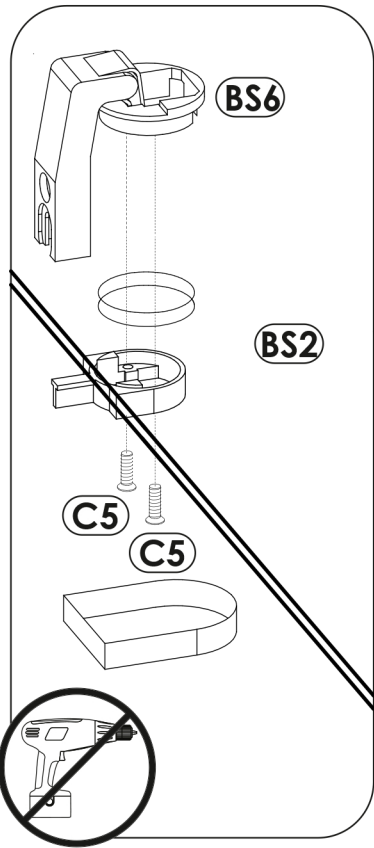
i



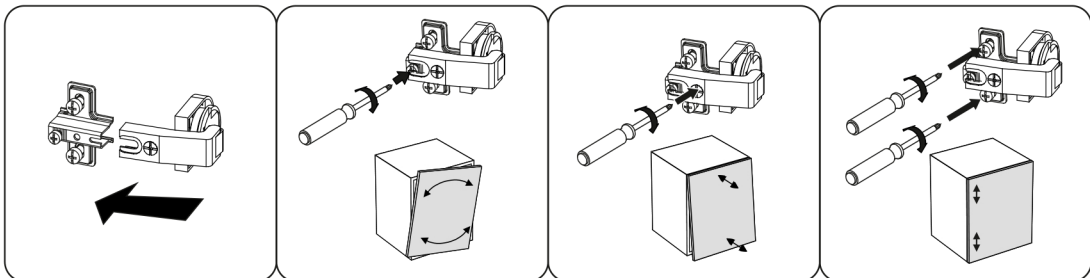
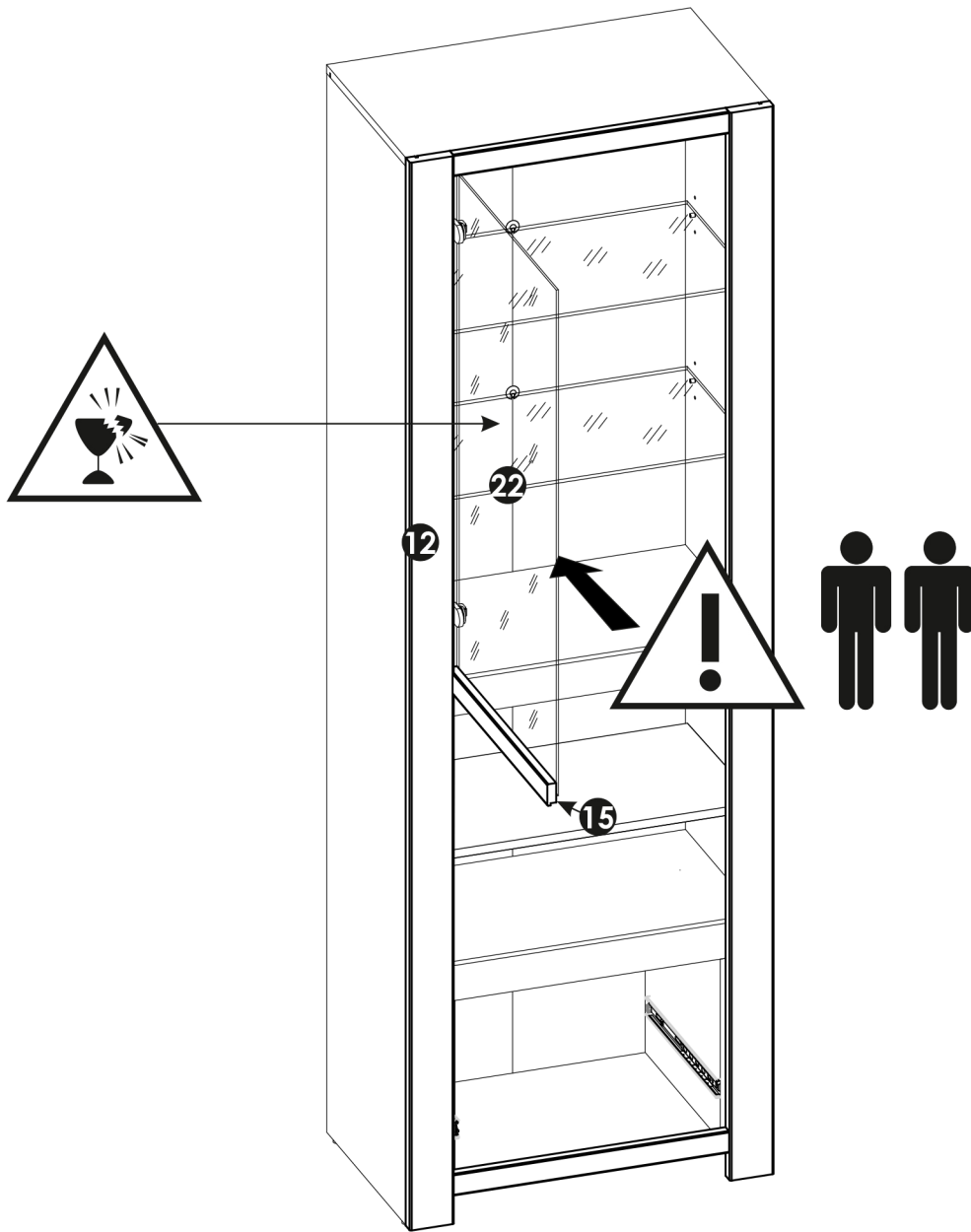
26 ▶



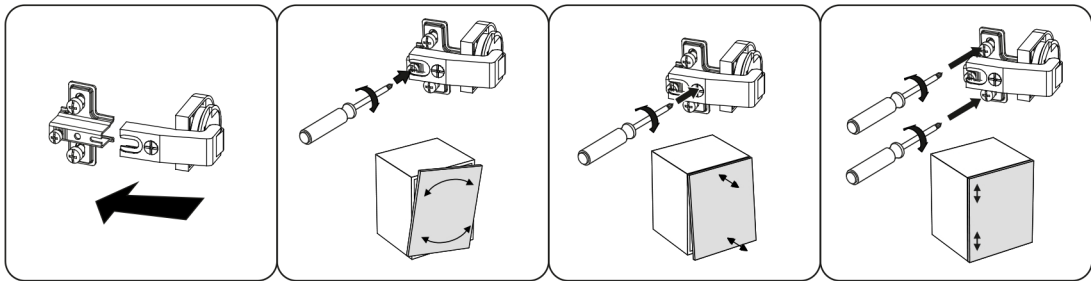
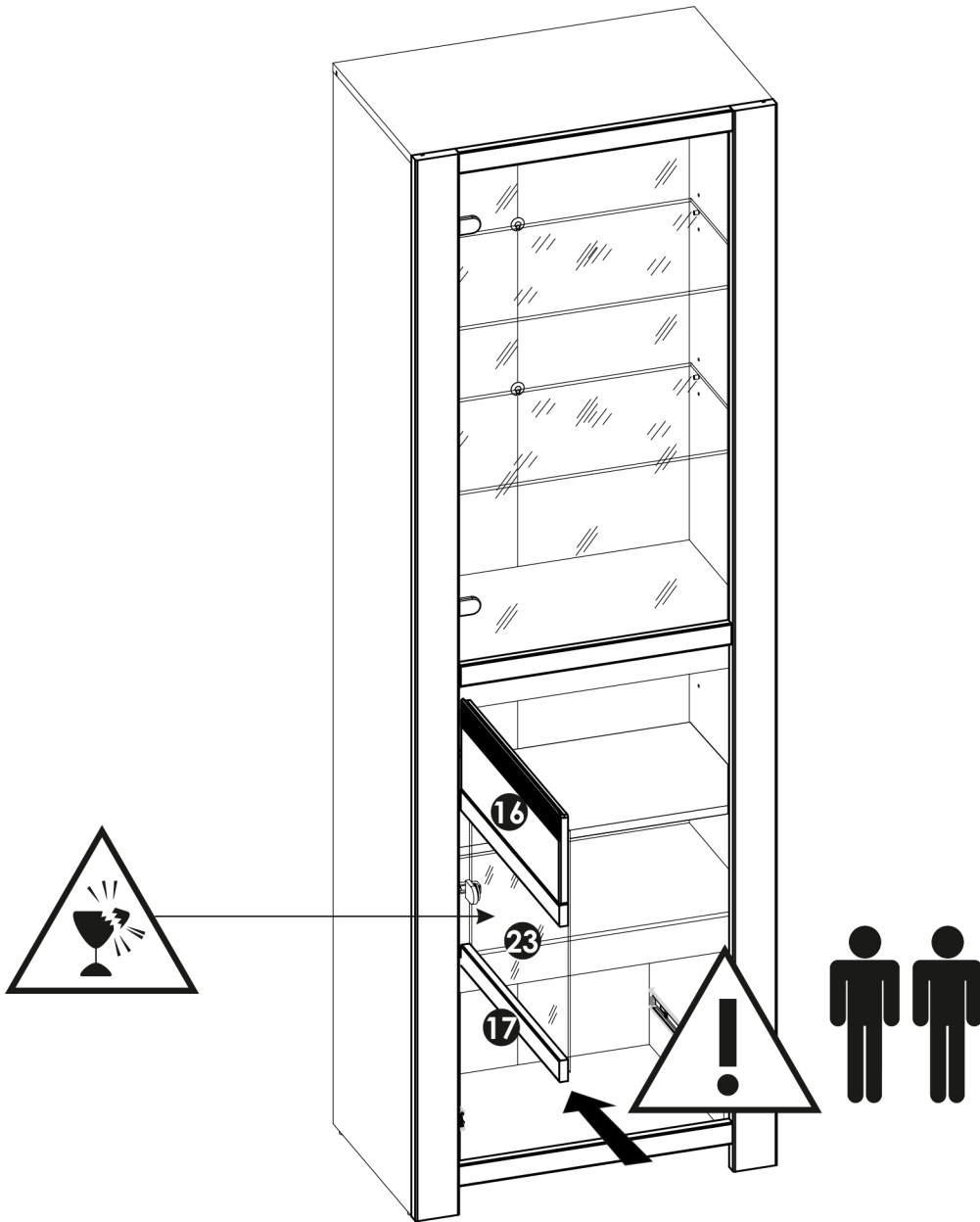
27 ▶



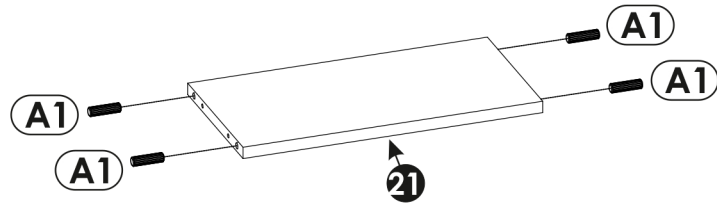




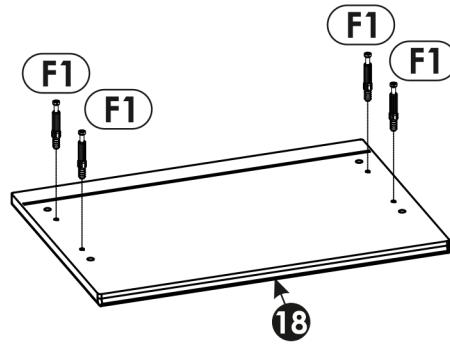




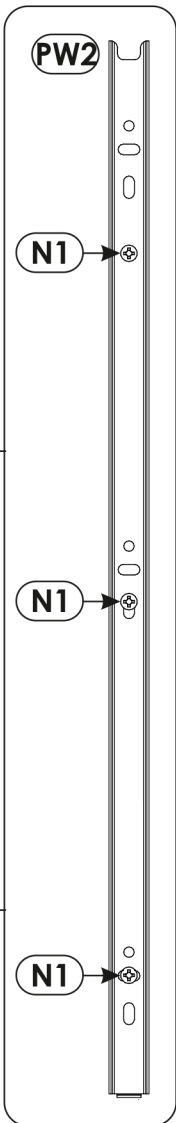
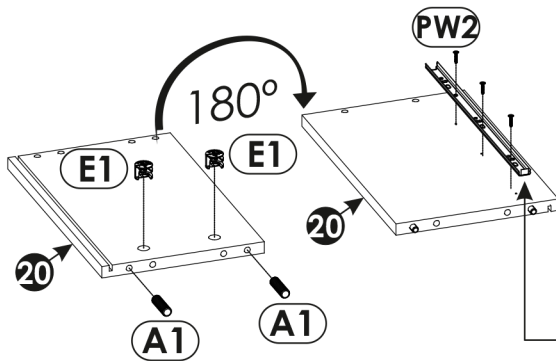
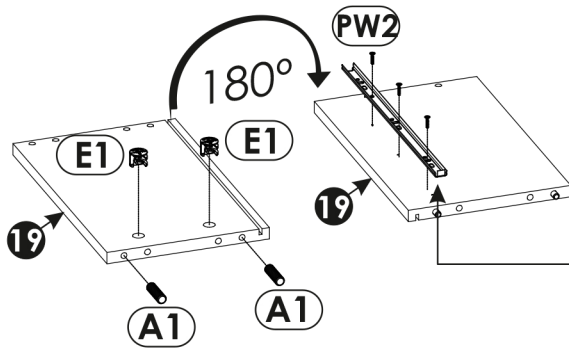
32▶



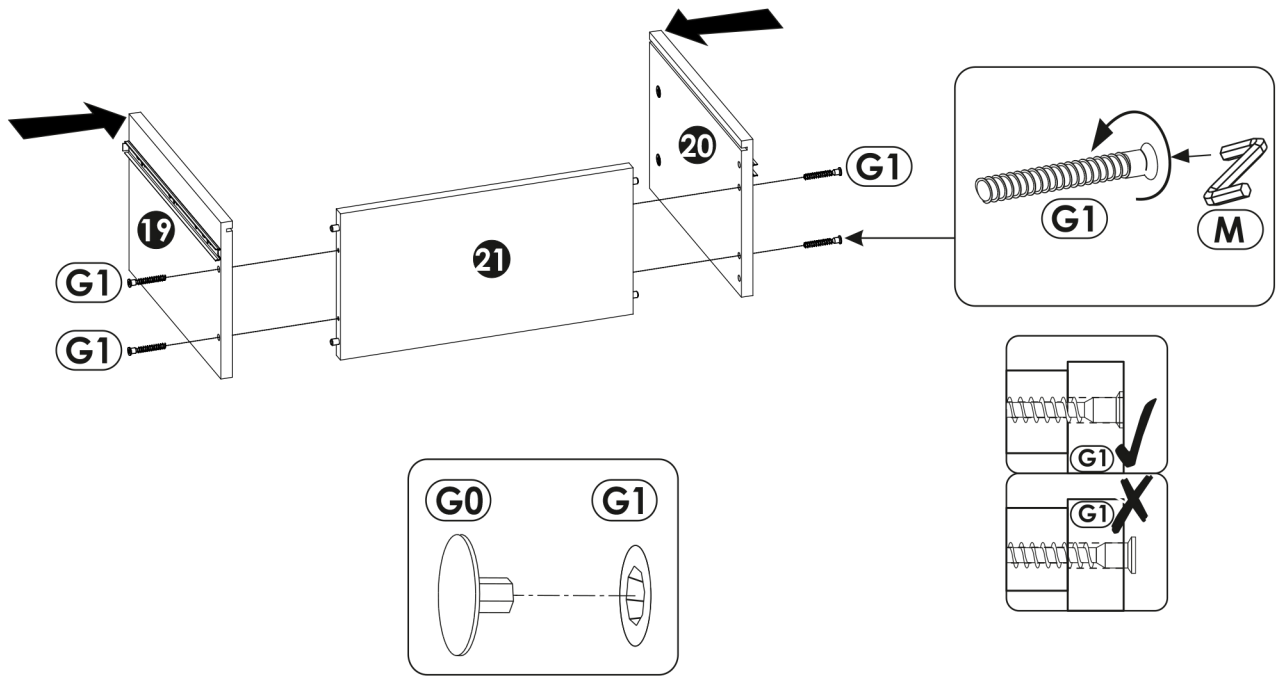
33▶



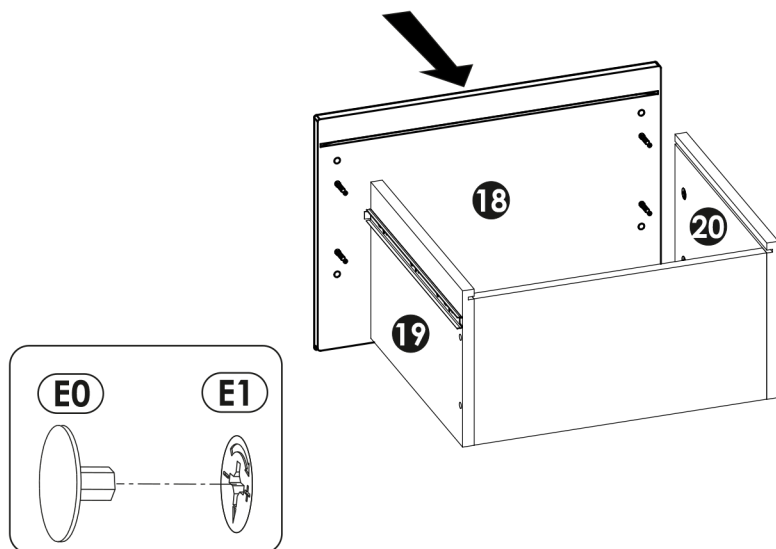
34▶



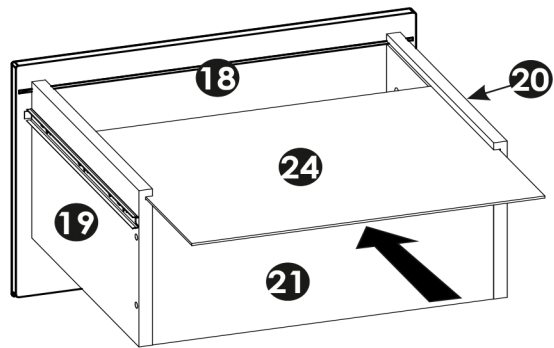
35 ▶



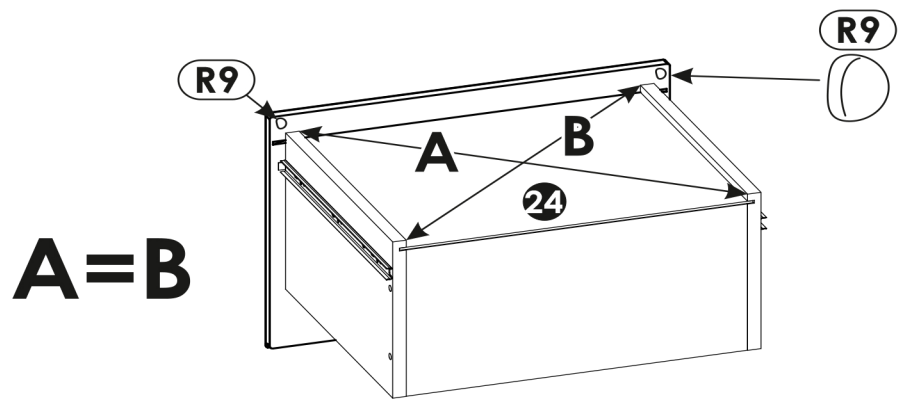
36 ▶



37 ▶



38 ▶



39 ▶

